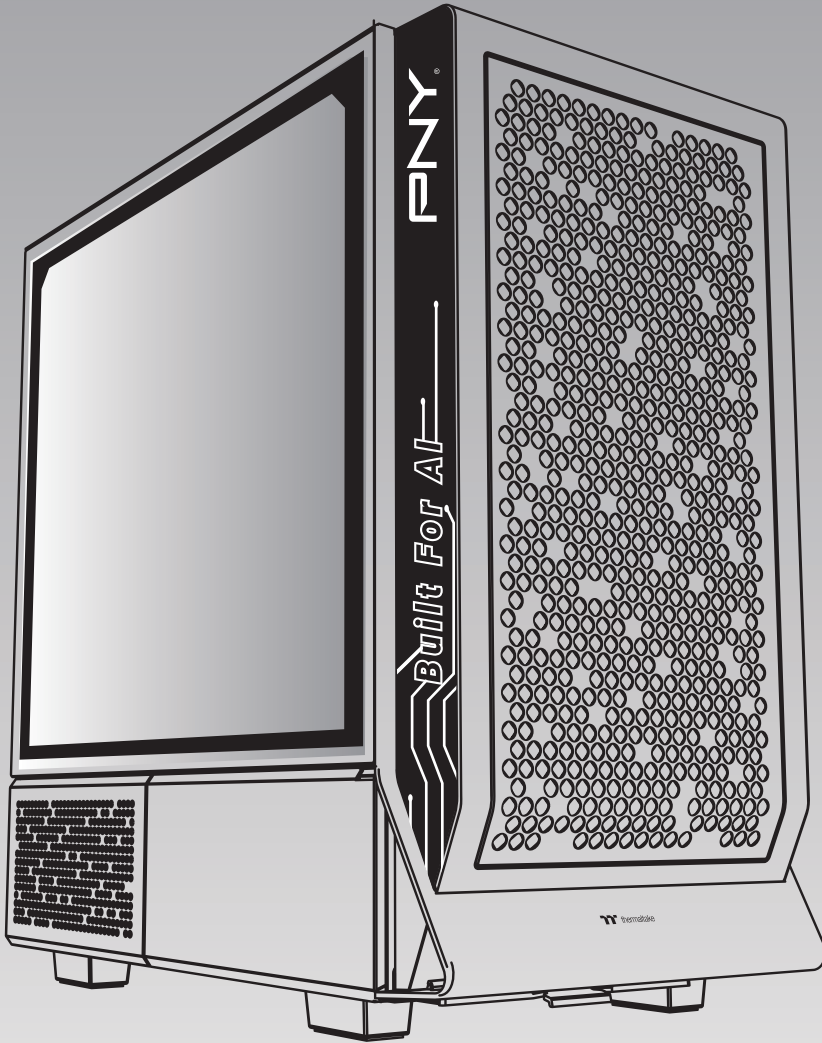


Built For AI

PNY®



# AI PC RIG

USER GUIDE

# CATALOG LIST

## **Box Content of AI PC Rig**

**How to take out the AI PC Rig?** -----

**Meet the AI PC Rig** -----

- Front Panel of AI PC Rig -----

- IO Panel of AI PC Rig -----

## **Hardware Setup**

- CPU Installation -----

- Memory Installation -----

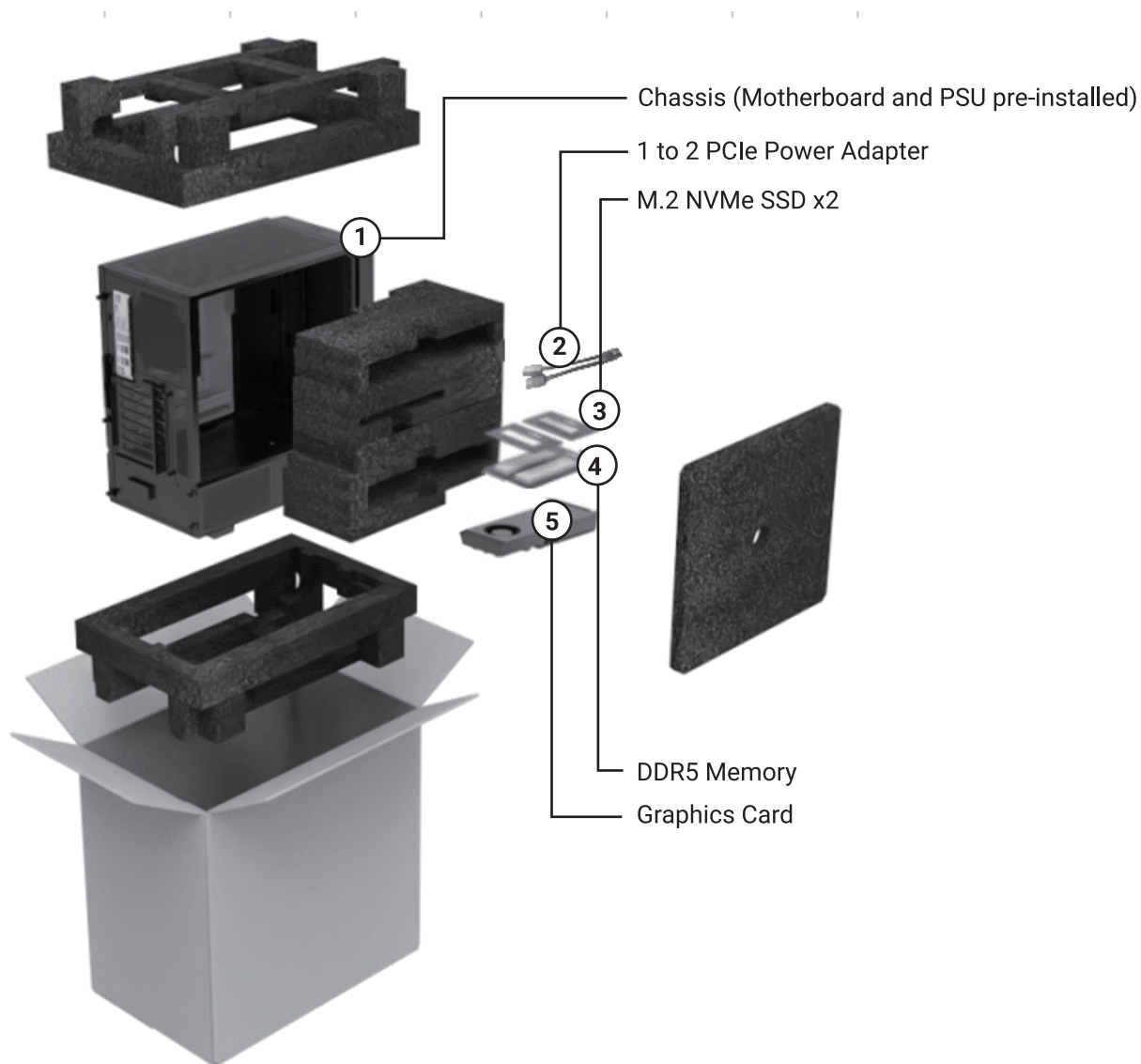
- SSD Installation -----

- Graphics Card Installation -----

- Front Panel Introduction -----

**Power Connector** -----

# Box Content of AI PC Rig



What's Inside		Q'ty
M/B	Intel Z790 Motherboard (Pre-installed)	1
DRAM	XLR8 DDR5 Memory Module	2
System SSD	M.2 2280 PCIe NVMe SSD	1
Storage SSD	M.2 2280 PCIe NVMe SSD	1
VGA	RTX Ada Lovelace VERTO Graphics Card	1
Chassis	Mid Tower PC Case	1
Power	80Plus Gold 1000W PSU (Pre-installed)	1

# How to take out the AI PC?



**Step 1:**  
Open the AI PC Box



**Step 2:**  
Remove the EPE cover



**Step 3:**  
Loosen the two screws on the  
back side of the glass side panel

# How to take out the AI PC RIG?

**Step 1: Unpack the cardboard box.**

**Step 2: Take out the AI PC RIG.**

**Step 3: Loosen the two screws on the back side of the glass side panel.**

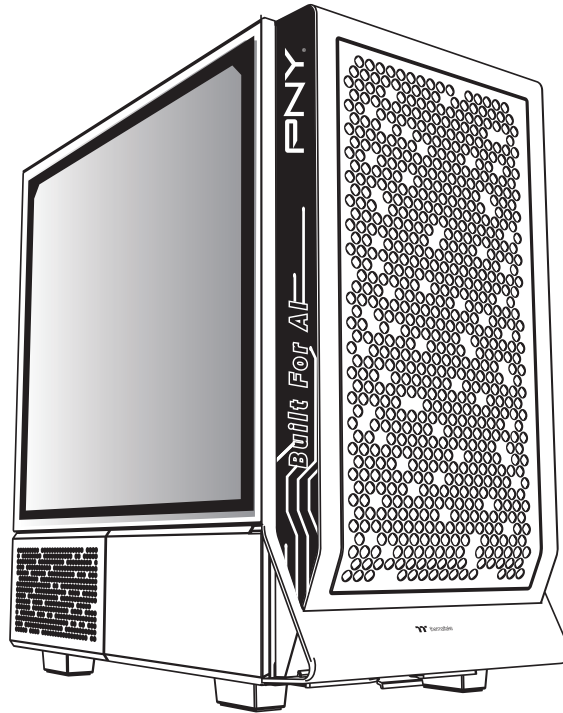
**Step 4: Pull out the glass side panel.**

**Step 5: Remove the EPE cover.**

**Step 6: Retrieve the Power Adapter, SSD, DRAM, and Graphics Card.**

**Step 7: Remove the internal EPE support.**

# Meet the AI PC Rig



DDR5 Memory x2



SSD 1TB & 4TB



Graphics Card

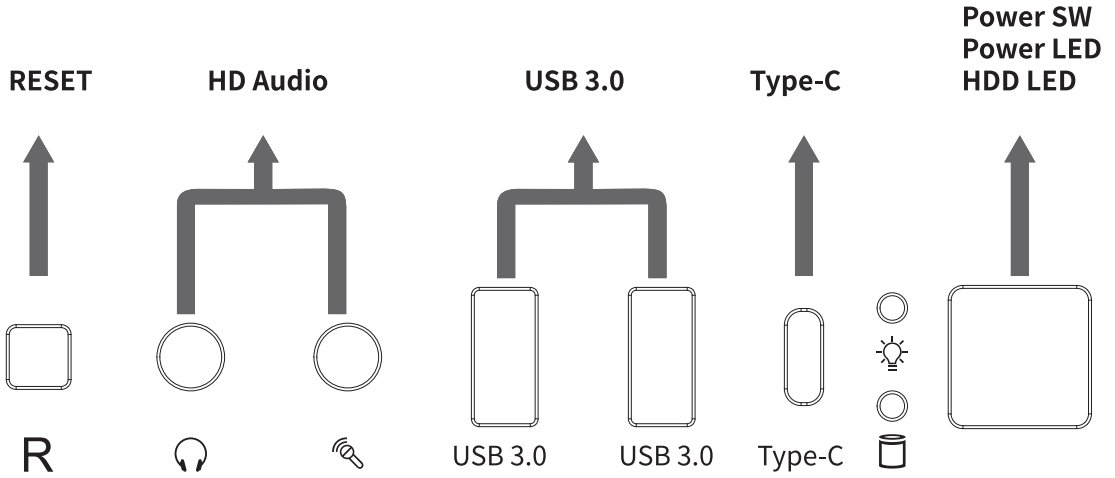


1000W PSU

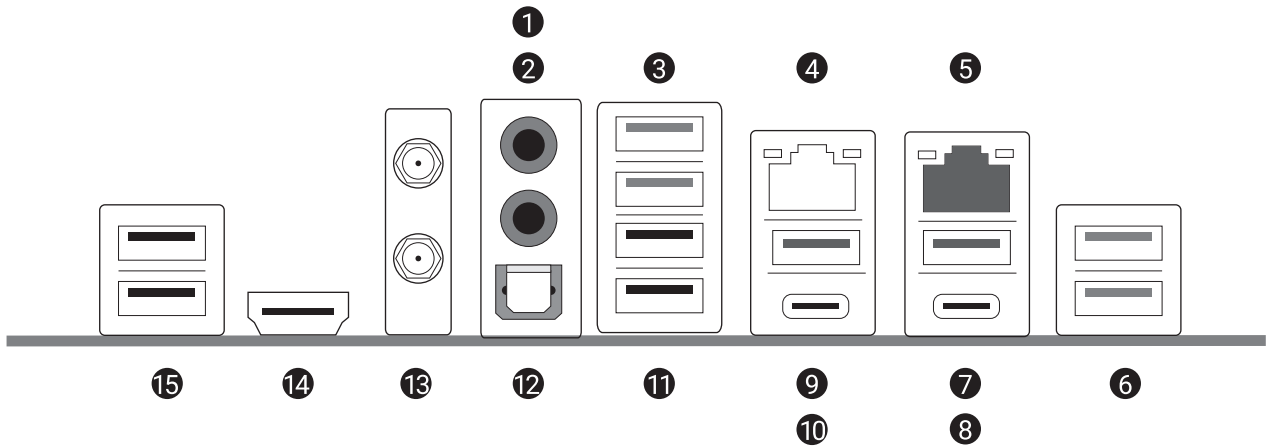


Z790 Motherboard

# Front Panel of AI PC Rig

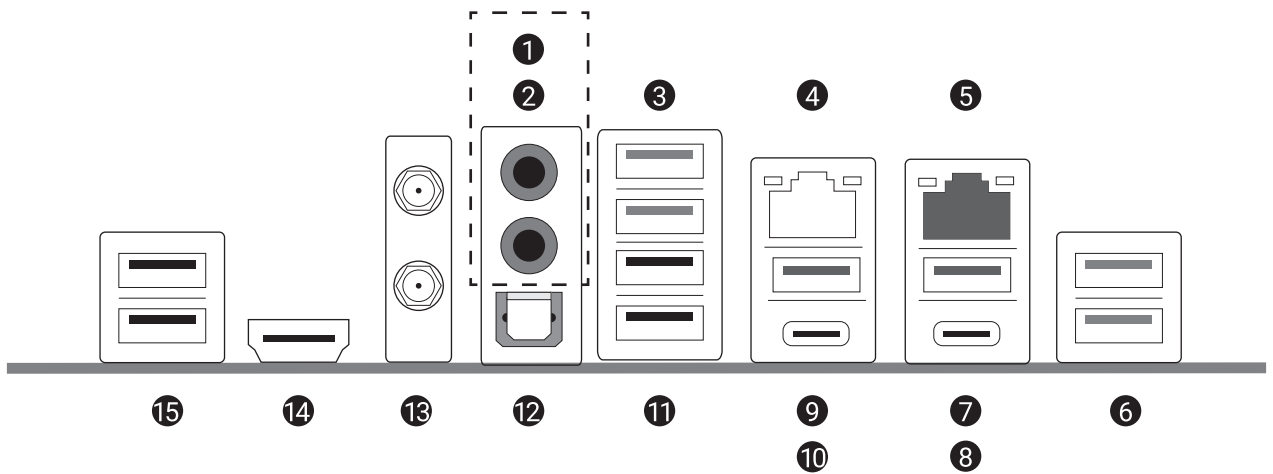


# IO Panel of AI PC Rig



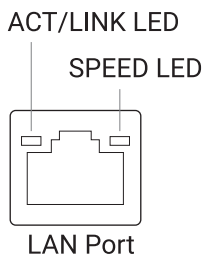
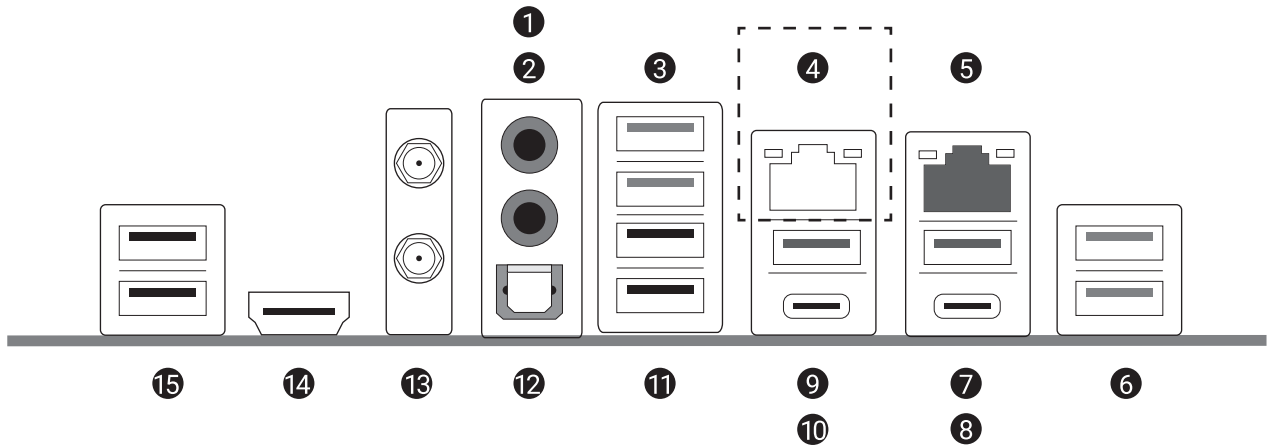
No.	Description	No.	Description
1	Microphone Input Jack*	9	USB 3.2 Gen1 Type-A Port(USB32_5)
2	Line Out Jack*	10	USB 4.0 Thunderbolt 4 Type-C Port (TB_1)
3	USB3.2 Gen1 Type-A Ports(USB32_34)	11	USB 3.2 Gen1 Type-A Ports (USB32_12)*****
4	LAN RJ-45 Port (Intel I219V)***	12	Optical SPDIF Out Port
5	2.5G LAN RJ-45 Port	13	Antenna Ports
6	USB3.2 Gen2 Type-A Ports(USB32_78)	14	HDMI Port
7	USB 3.2 Gen1 Type-A Port (USB32_6)	15	USB 2.0 Ports (USB_1_2)
9	USB 4.0 Thunderbolt 4 Type-C Port (TB_2)		

# Audio Panel



Channel	Port	Function
2ch	Line Out Jack(Rear Panel)	Front Speaker Out
4ch	Pink-Mic(Front Panel)	Rear Speaker Out
5.1ch	Microphone Input Jack(Rear Panel)	Central / Subwoofer Speaker Out

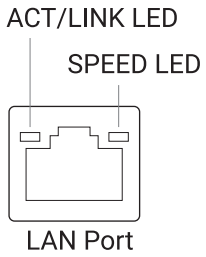
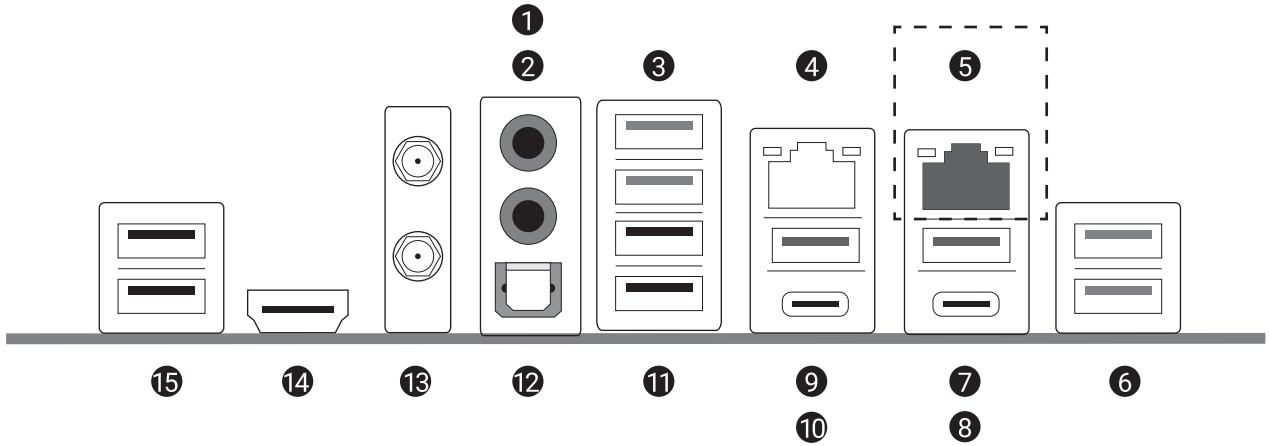
# 1Gbps LAN



Activity / Link LED		Speed LED	
Status	Description	Status	Description
Off	No Link	Off	10Mbps connection
Blinking	Data Activity	Orange	100Mbps connection
On	Link	Green	1Gbps connection



# 2.5Gbps LAN

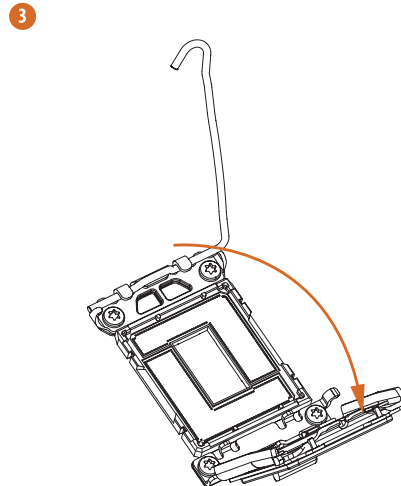
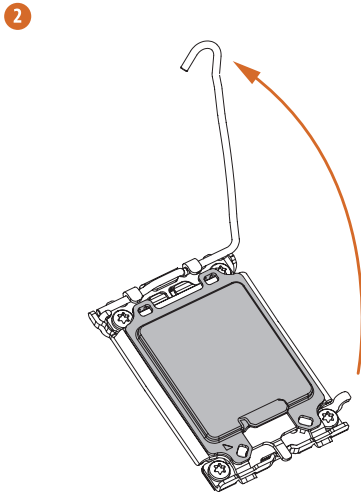
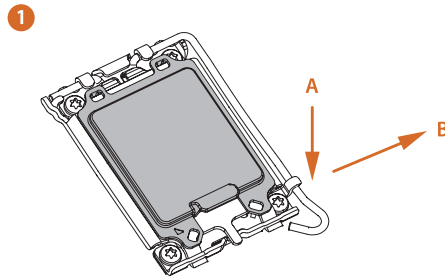


Activity / Link LED		Speed LED	
Status	Description	Status	Description
Off	No Link	Off	10Mbps connection
Blinking	Data Activity	Orange	100Mbps connection
On	Link	Green	2.5 Gbps connection

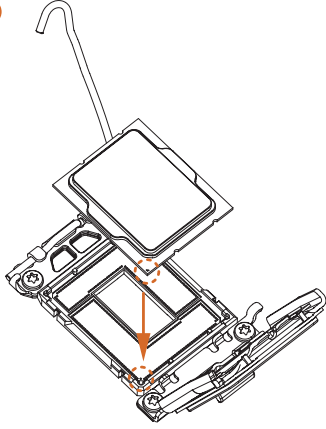
# CPU Installation

## Installing the CPU

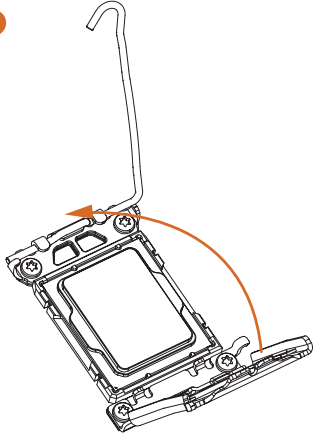
1. Before you insert the 1700-Pin CPU into the socket, please check if the PnP cap is on the socket, if the CPU surface is unclean, or if there are any bent pins in the socket. Do not force to insert the CPU into the socket if above situation is found. Otherwise, the CPU will be seriously damaged.
2. Unplug all power cables before installing the CPU.
3. Please save and replace the cover if the processor is removed. The cover must be placed if you wish to return the motherboard for after service.



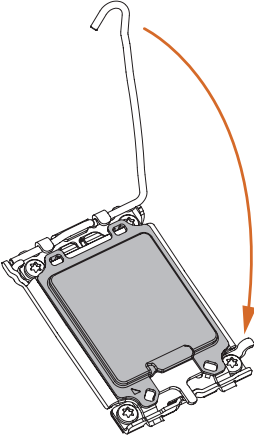
4



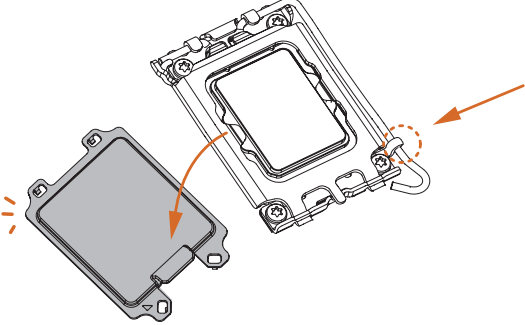
5



6

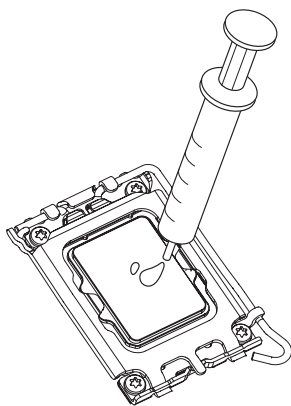


7

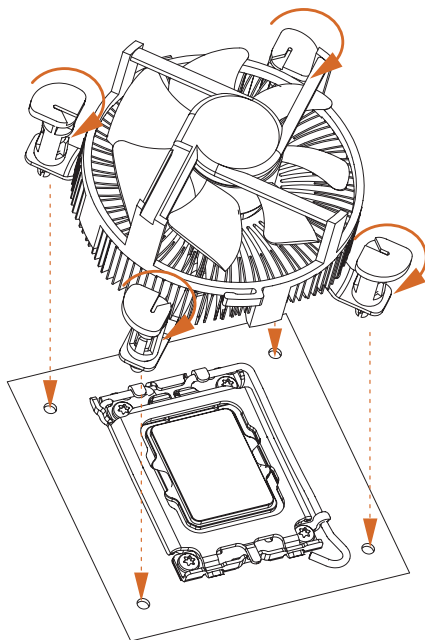


# CPU Fan and Heatsink Installation

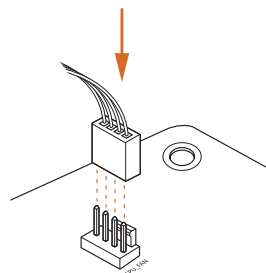
If a CPU cooler installation is required, you can choose a compatible model on your own. Please follow the installation instructions provided by the cooler manufacturer.



1



2



# Memory Installation

## Installing the Memory Modules (DIMM)

This motherboard provides four 288-pin DDR5 (Double Data Rate 5) DIMM slots and supports Dual Channel Memory Technology.

1. For dual channel configuration, you always need to install identical (the same brand, speed, size, and chip type) DDR5 DIMM pairs.
2. It is unable to activate Dual Channel Memory Technology with only one or three memory modules installed.
3. It is not allowed to install a DDR, DDR2, DDR3, or DDR4 memory module into a DDR5 slot; otherwise, this motherboard and DIMM may be damaged.
4. The DIMM only fits in one correct orientation. It will cause permanent damage to the motherboard and the DIMM if you force the DIMM into the slot at incorrect orientation.

### Recommended Memory Configuration

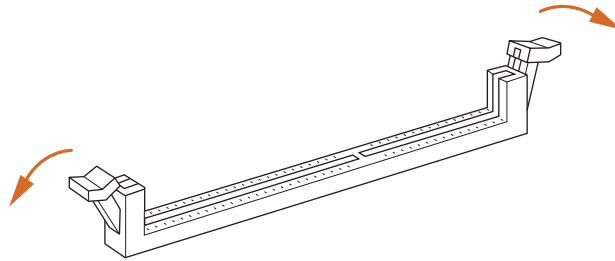
1 DIMM			
A1	A2	B1	B2
			V

2 DIMM			
A1	A2	B1	B2
	V		V

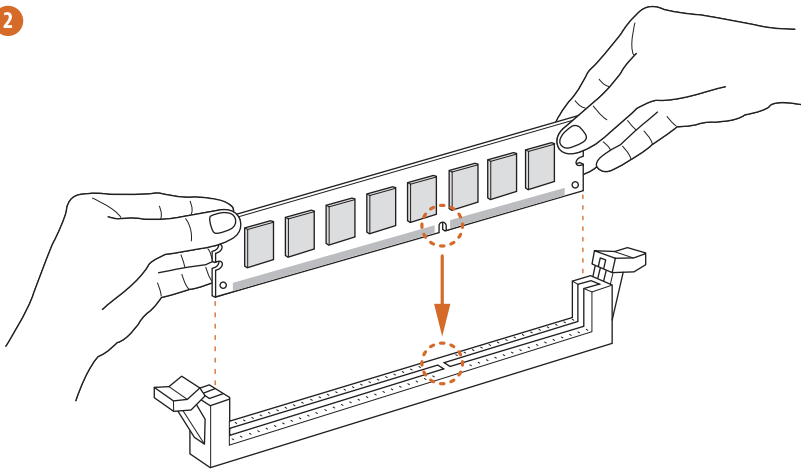
4 DIMM			
A1	A2	B1	B2
V	V	V	V

# Memory Installation

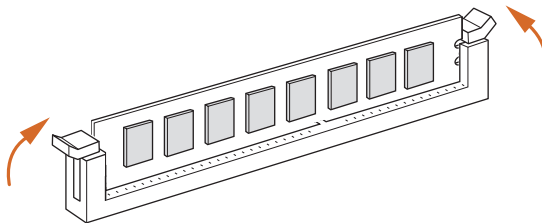
1



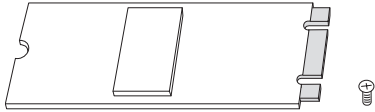
2



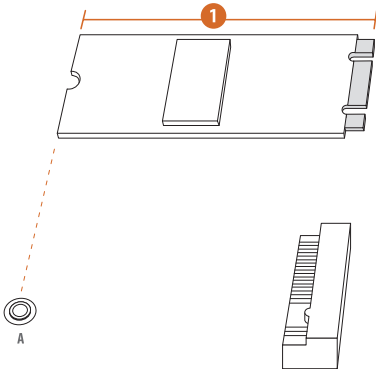
3



# SSD Installation

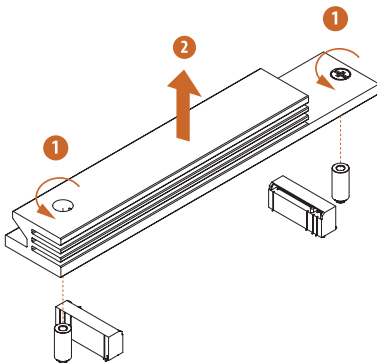


**Step 1.**  
Prepare a M.2 SSD module and the screw.



**Step 2.**  
Depending on the PCB type and length of your M.2\_SSD (NGFF) module, find the corresponding nut location to be used.

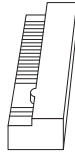
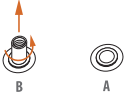
No.	1	2
Nut Location	A	B
PCB Length	V	V
Module Type	Type 2260	Type 2280



**Step 3.**  
Before installing a M.2 SSD module, please loosen the screws to remove the M.2 heatsink.

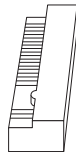
\*Please remove the protective films on the bottom side of the M.2 heatsink before you install a M.2 SSD module.

# SSD Installation



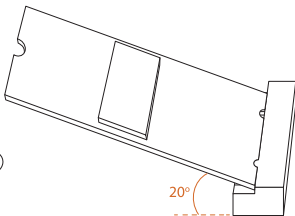
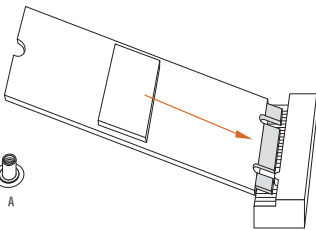
## Step 4.

Move the standoff based on the module type and length. The standoff is placed at the nut location B by default. Skip Step 4 and 5 and go straight to Step 6 if you are going to use the default nut.



## Step 5.

Peel off the yellow protective film on the nut to be used. Hand tighten the standoff into the desired nut location on the motherboard.

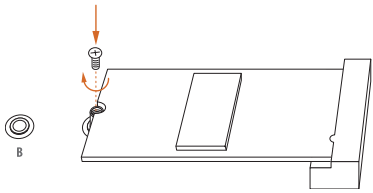


## Step 6.

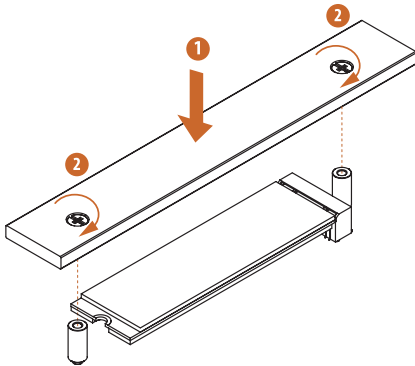
Align and gently insert the M.2 SSD module into the M.2 slot. Please be aware that the M.2 SSD module only fits in one orientation.



# Graphics Card Installation

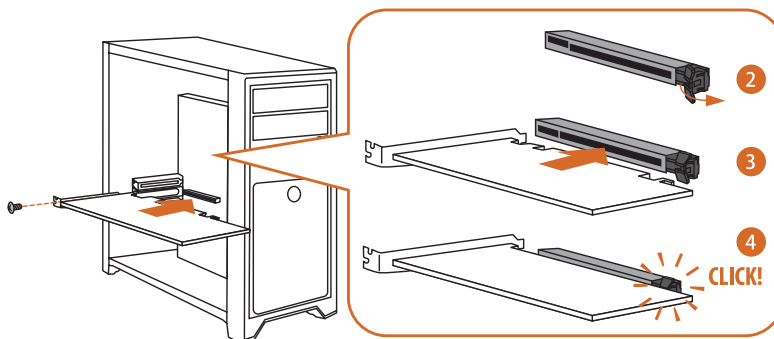
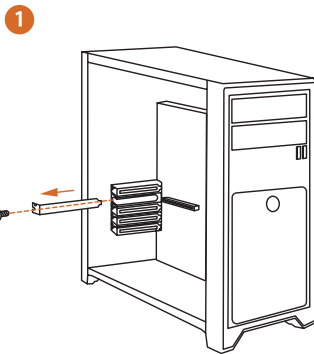


**Step 7.**  
Tighten the screw with a screwdriver to secure the module into place. Please do not overtighten the screw as this might damage the module.



**Step 8.**  
Tighten the screw with a screwdriver to secure the M.2 heatsink into place. Please do not overtighten the screw as this might damage the M.2 heatsink.

# Graphics Card Installation



# Power Connector

Please use a power plug type that conforms to the local specifications.

TYPE B



TYPE I



TYPE G



Power Cord		
B	Type B 100-240V	USA, MEX, CAN, JPN
I	Type I 100-240V	AUS, ARG, CHN, NZL
G	Type G 100-240V	GBR, IRL, MLT, MAS, SIN

## AI PC Limited 2 Year Warranty.

DOA, if product is found to be damaged and/or fails electrically or mechanically upon receipt, customer can return the entire system back to PNY.

RMA, if customer finds problem with any component within the system, the customer can remove the component to PNY to return to respective component manufacturer.

